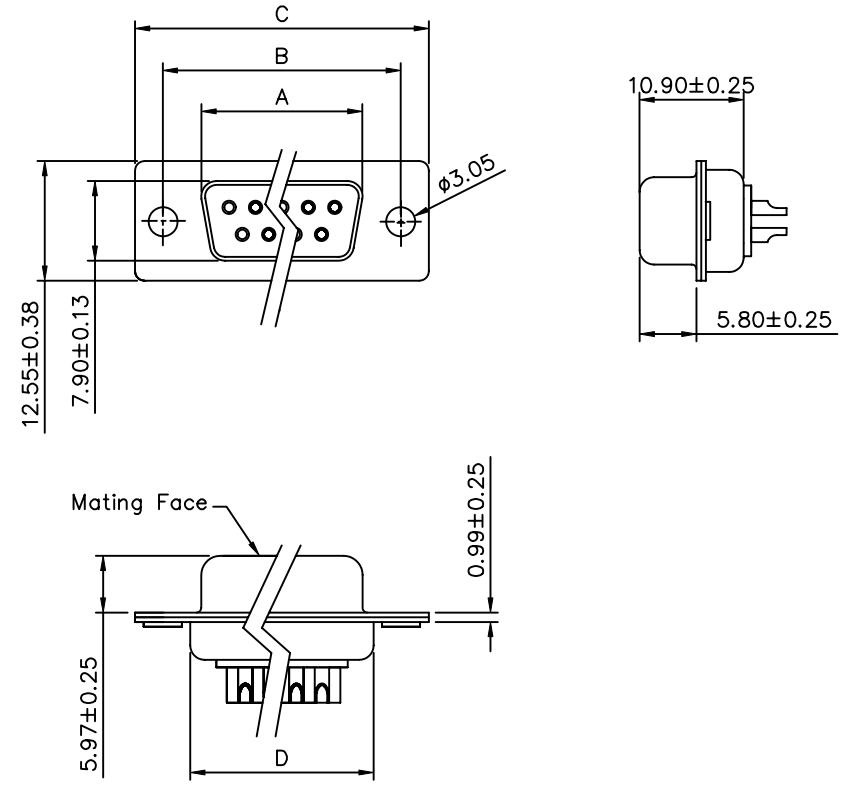


**MATERIALS AND FINISH**  
 Shell: Steel Material, Front Shell Nickel Finished  
 Back Shell Tin Finished  
 Insulator: PBT Thermoplastic, 30% Glass Filled,  
 UL 94V-0 Rated, Black Color  
 Contact Material: Brass  
 Contact Finish: Full Gold Flash

**ELECTRICAL CHARACTERISTICS**  
 Contact Current Rating: 5.0 Amps  
 Contact Resistance: 30 Milliohms Max.  
 Insulation Resistance: 5000 Megohms Min.  
 Dielectric Withstanding Voltage: 1000V AC Min.  
 Temperature Rating: -55°C ~ +105°C



Contacts	A±0.25	B±0.13	C±0.38	D±0.25	E
09	16.33	24.99	30.81	19.28	11.08
15	24.66	33.32	39.14	27.51	19.39
25	38.38	47.04	53.04	41.28	33.24
37	54.84	63.50	69.32	57.71	49.86

**4UCON** 元化興業股份有限公司  
 4UCON TECHNOLOGY INC.

DRAWING No.		APPROVED BY		UNLESS OTHERWISE SPECIFIED TOLERANCES ARE .X .XX ±0.13 ANG. ±2°
07451		MEI		
		SHIN		
		DRAWING BY		UNIT
		INGRID		mm
SCALE	NONE	REV.	A0	NO. REV.

△ A0	NEW RELEASE	SHIN	03/04/2007	
NO. REV.	REVISIONS	CHK	DATE	