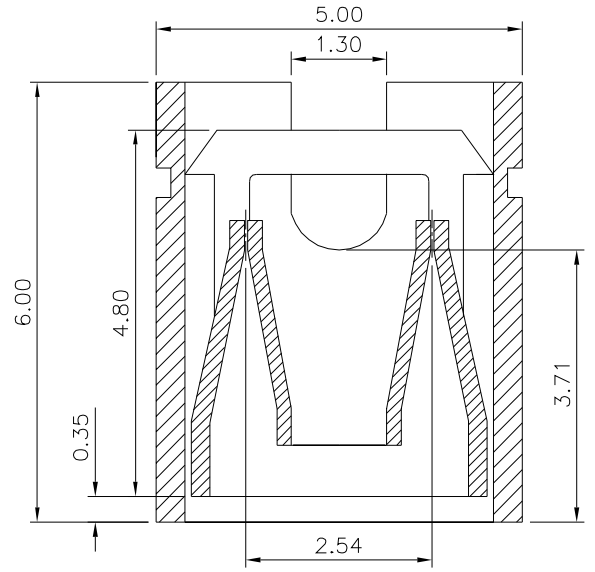
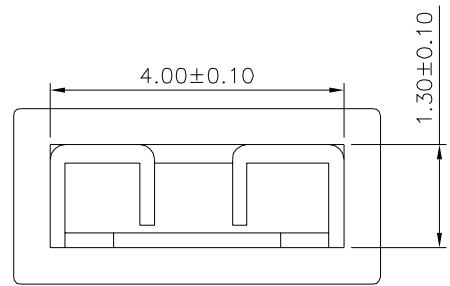
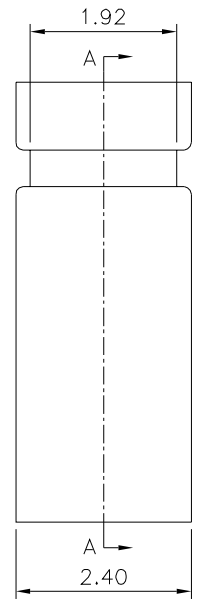


SPECIFICATION

Current Rating:1.0A
 Voitage Rating:30V RMS Max.
 Withstanding Voltage:500V AC Min. For 1 Minute
 Insulator Resistance:500 Megaohms Min. At 500V DC
 Contact Resistance:20 Milliohms Max.
 Operating Temperature:-45°C~+105°C
 Insulator:PBT(UL94V-0),Black
 Contact:Brass,Gold Flash Over Nickel
 RoHS Compliant



Section A-A



4UCON 元化興業股份有限公司
 4UCON TECHNOLOGY INC.

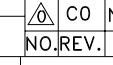
DRAWING No.
05744

APPROVED BY
 MEI
 CHECKED BY
 HZF
 DRAWING BY
 CYP

UNLESS OTHERWISE SPECIFIED TOLERANCES ARE
 .X ±0.38
 .XX ±0.25
 ANG ±2°

SCALE NONE REV. CO

UNIT mm



NO.	REV.	REVISIONS	CHK	DATE
△ CO		NEW RELEASE	HZF	08/05/2025