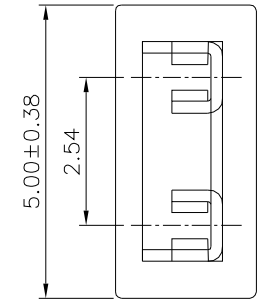
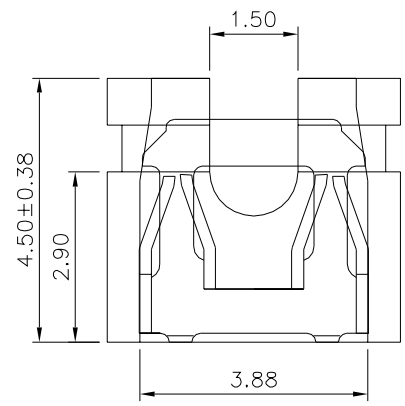


**△△ SPECIFICATION**

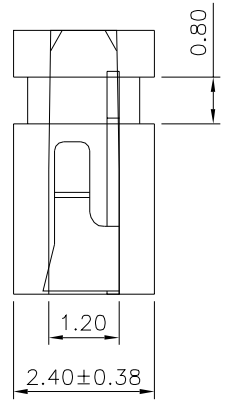
Current Rating:1 Amp  
 Voltage Rating:30V RMS Max.  
 Dielectric Withstanding Voltage:500V AC Min. For 1 Minute  
 Insulator Resistance:500 Megaohms Min. At 500V DC  
 Contact Resistance:20 Milliohms Max.  
 Operating Temperature:-45°C~+105°C  
 Insulator:PBT+30%G.F.(UL94V-0),Black  
 Contact:Phosphor Bronze,Gold Flash Over Nickel  
 RoHS Compliant



△



△△



△△

**4UCON** 元化興業股份有限公司  
 4UCON TECHNOLOGY INC.

DRAWING No.		APPROVED BY		UNLESS OTHERWISE SPECIFIED TOLERANCES ARE △ .X ±0.38 △ .XX ±0.25 △ .XXX ±0.15 ANG. ±2°
05738		MEI		
		CHECKED BY	HZF	
		DRAWING BY	CYP	
SCALE	NONE	REV.	A3	UNIT mm

NO.	REV.	REVISIONS	CHK	DATE
△	A3	Modify Data	HZF	12/12/2019
△	A2	Modify Data	HZF	08/03/2009
△	A1	Modify Data	BECKY	2005/04/04
△	A0	NEW RELEASE	BECKY	2005/04/01

