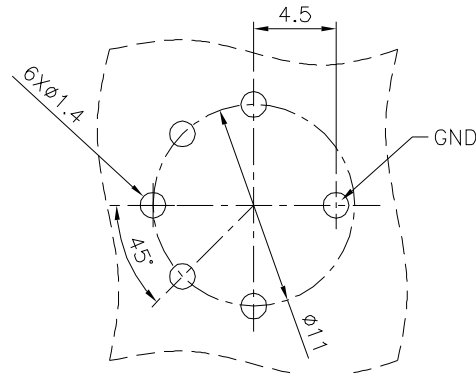


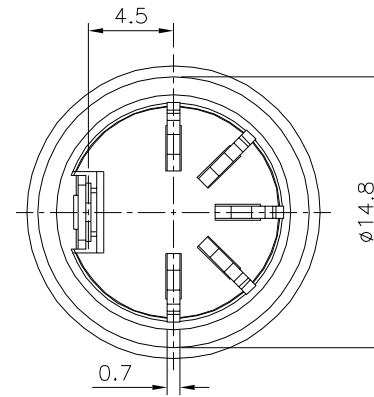
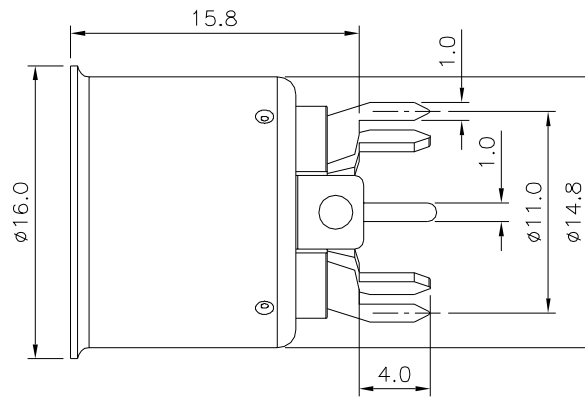
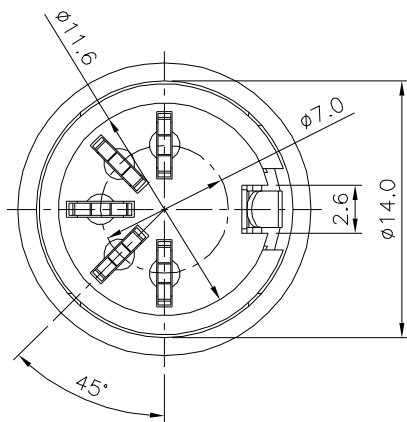
SPECIFICATION

Withstand Voltage:500V AC For 1 Minute
 Contact Resistance:30 Milliohms Max.
 Insulation Resistance:100 Megaohms Min. At 500V DC

⚠ Tray Package
 RoHS Compliant



Recommended P.C.B. Layout



④	Terminals	Brass	Silver Plated	5
③	5P Housing	PBT+15%G.F.	—	1
②	GND Contact	Phosphor Bronze	Silver Plated	1
①	Shield Cover	Steel	Nickel Plated	1
No.	Description	Material	Remark	Q'ty

4UCON 元化興業股份有限公司
 4UCON TECHNOLOGY INC.

DRAWING No. ⚠

05142

APPROVED BY EMILY
 CHECKED BY HZF
 DRAWING BY HAO

SCALE NONE

REV. A2

UNLESS OTHERWISE SPECIFIED TOLERANCES ARE
 ⚠ .X ±0.25
 .XX ±0.10
 ANG.

UNIT mm

⚠ A2	Modify Data	HZF	08/31/2020
⚠ A1	Modify Data	HZF	06/17/2015
⚠ A0	NEW RELEASE	HZF	05/20/2013
NO. REV.	REVISIONS	CHK	DATE