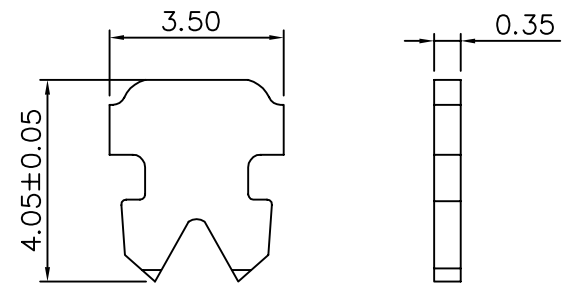
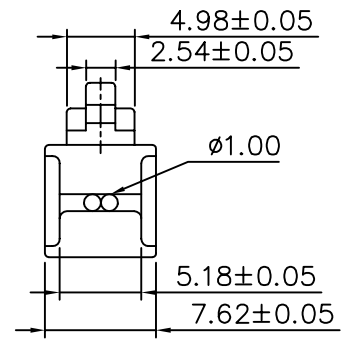
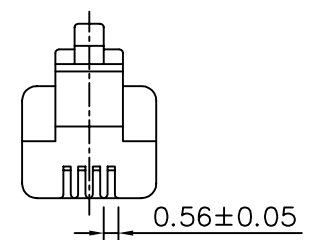
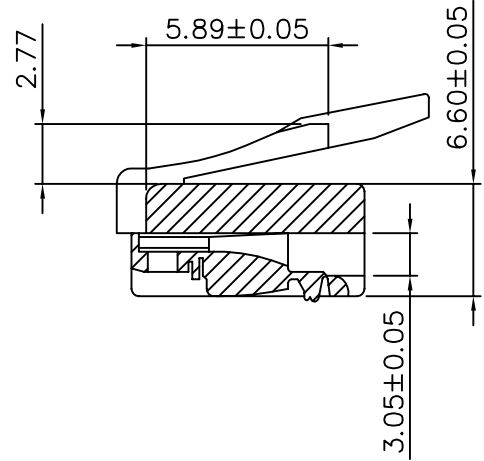
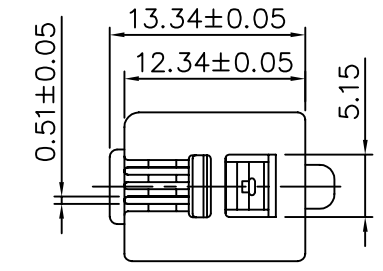
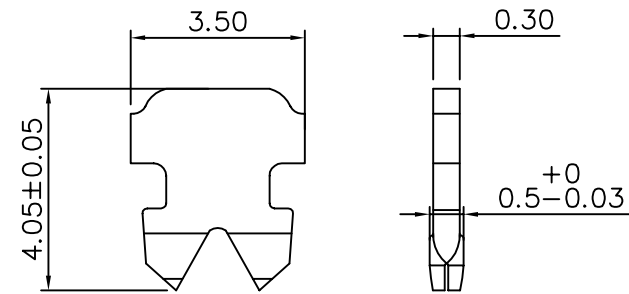


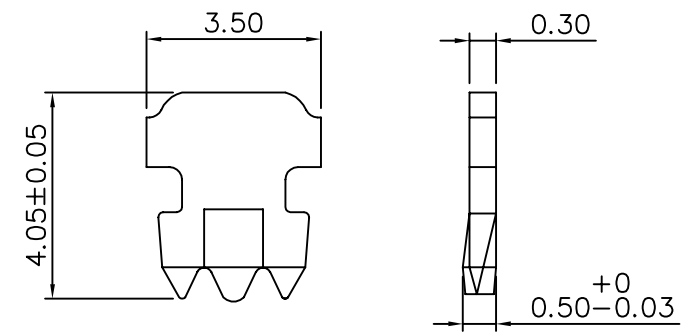
SPECIFICATIONS:
 Insulator : Polycarbonate,
 UL 94V-2
 Contact: Copper Alloy,
 Gold Plated All Over



1. Prongs For Stranded Wire



2. Prongs For Solid Wire (SS)



3. Prongs For Solid Wire (S)

4UCON 元化興業股份有限公司
 4UCON TECHNOLOGY INC.

DRAWING No.
 04827

APPROVED BY MEI
 CHECKED BY RAN
 DRAWING BY HZF

UNLESS OTHERWISE SPECIFIED TOLERANCES ARE
 .X ±0.38
 .XX ±0.25
 .XXX

SCALE NONE REV. A UNIT mm

AREA REVISIONS CHK DATE