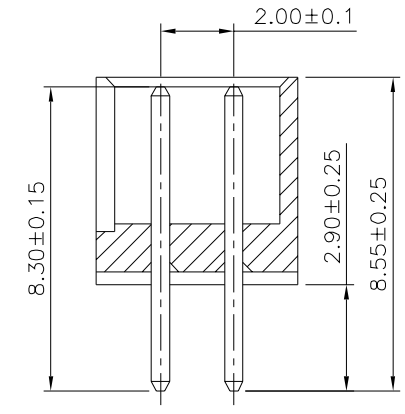
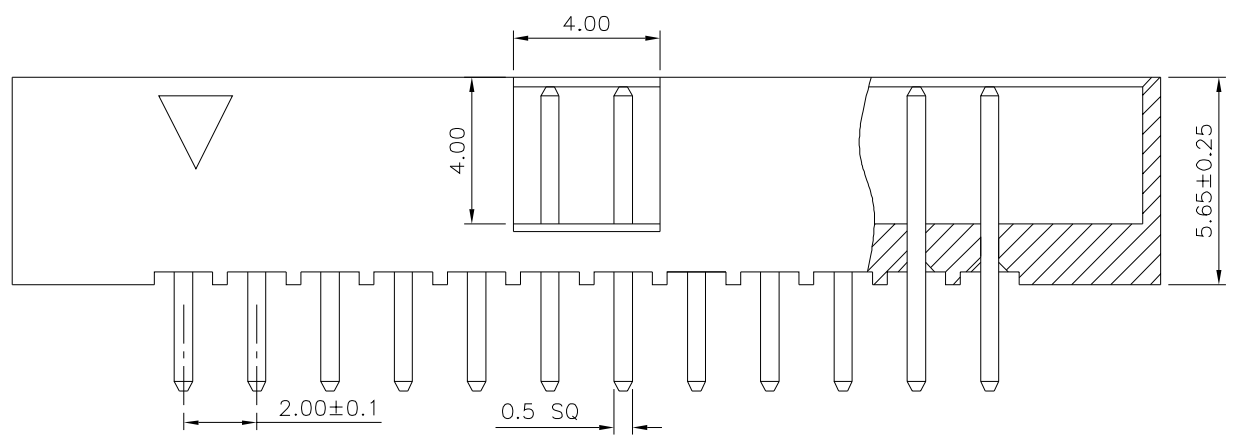
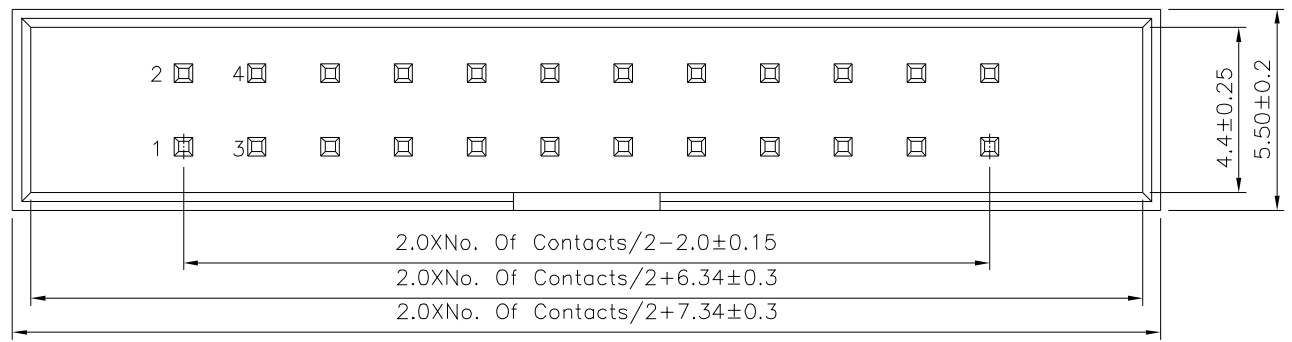


**SPECIFICATION**  
 Current Rating:1.5A  
 Withstand Voltage:500V AC  
 Contact Resistance:20 Milliohms Max.  
 Insulation Resistance:1000 Megaohms Min.  
 Operation Temperature:-40°C~+105°C  
 ⚠ Insulator:PA9T(UL94V-0),Black  
 Contact:Brass,Gold Flash Over Nickel  
 RoHS Compliant



**4UCON** 元化興業股份有限公司  
 4UCON TECHNOLOGY INC.

DRAWING No. 03477  
 APPROVED BY Jason Wu  
 CHECKED BY Leo Han  
 DRAWING BY Michelle Lee  
 SCALE NONE REV. B1

UNLESS OTHERWISE SPECIFIED TOLERANCES ARE  
 X. ±0.25 X.\* ±2\*  
 .X ±0.20 .X\* ±1.5\*  
 .XX ±0.15 .XX\* ±1\*  
 .XXX ±0.10 .XXX\* ±0.5\*  
 UNIT mm

NO.	REV.	REVISIONS	CHK	DATE
⚠	B1	Modify Data	HZF	12/12/2023
⚠	B0	NEW RELEASE	HZF	05/09/2018