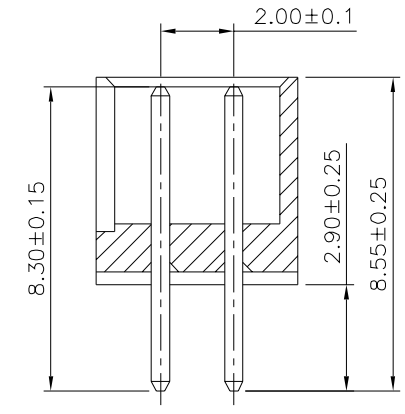
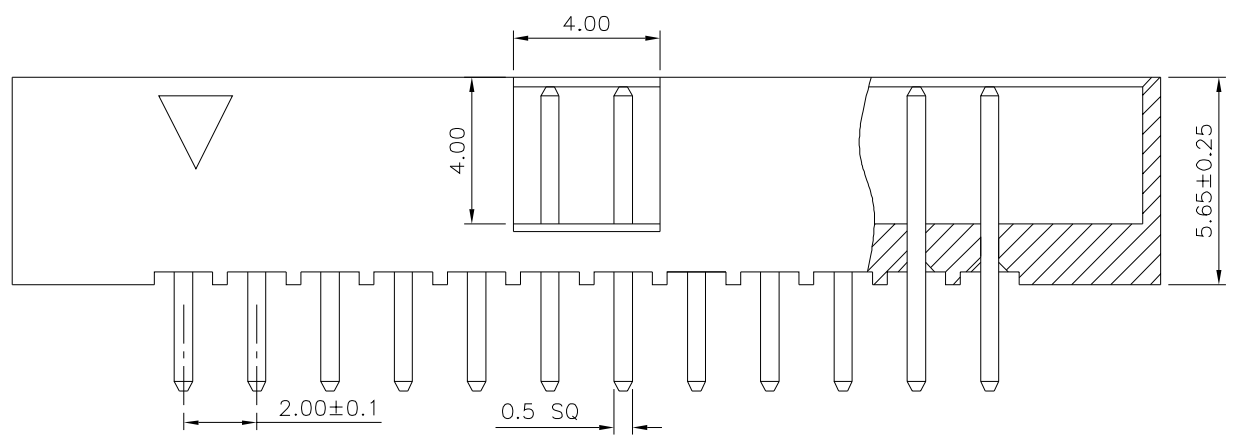
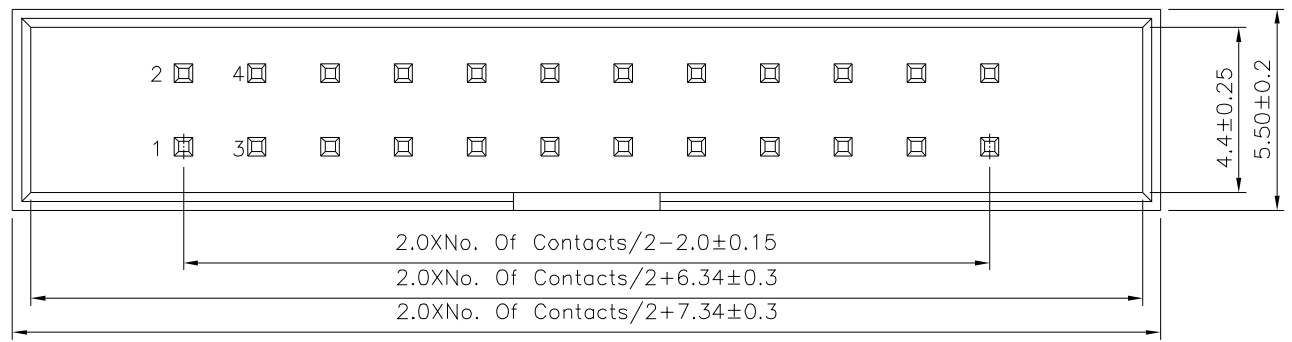


**SPECIFICATION**  
 Current Rating: 1.5A  
 Withstand Voltage: 500V AC  
 Contact Resistance: 20 Milliohms Max.  
 Insulation Resistance: 1000 Megaohms Min.  
 Operation Temperature: -40°C ~ +105°C  
 ⚠ Insulator: PA9T (UL94V-0), Black  
 Contact: Brass, Gold Flash Over Nickel  
 RoHS Compliant



**4UCON** 元化興業股份有限公司  
 4UCON TECHNOLOGY INC.

DRAWING No.		APPROVED BY		UNLESS OTHERWISE SPECIFIED TOLERANCES ARE	
03464		Jason Wu		X. ±0.25 X.* ±2*	
		CHECKED BY		.X ±0.20 .X* ±1.5*	
		Leo Han		.XX ±0.15 .XX* ±1*	
SCALE NONE		DRAWING BY		.XXX ±0.10 .XXX* ±0.5*	
		Michelle Lee		UNIT mm	
REV.	B1			NO. REV.	

⚠ B1	Modify Data	HZF	12/12/2023		
⚠ B0	NEW RELEASE	HZF	05/09/2018		
NO. REV.	REVISIONS	CHK	DATE		