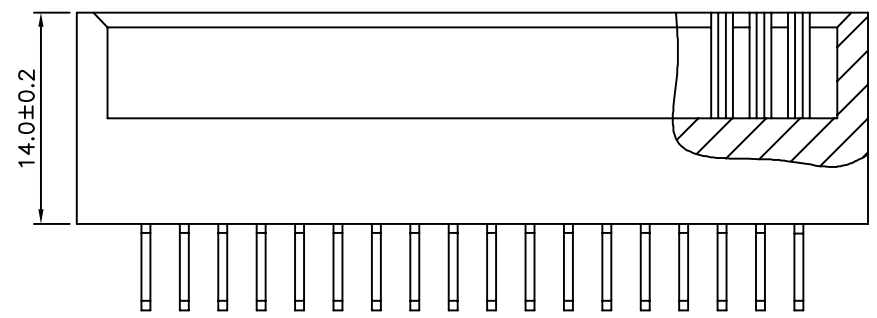
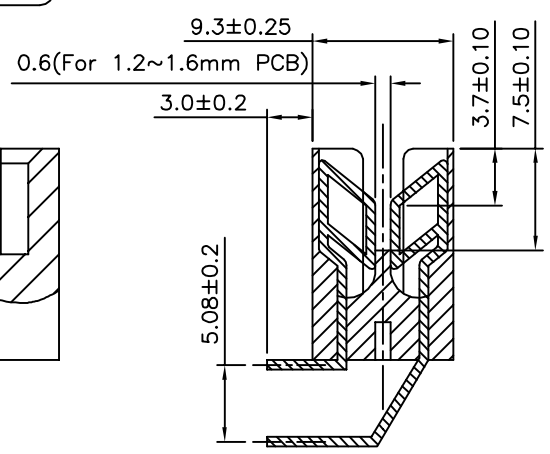
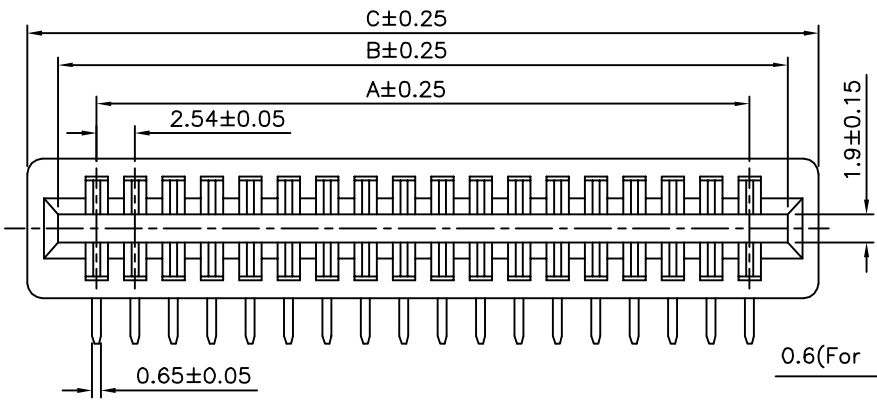
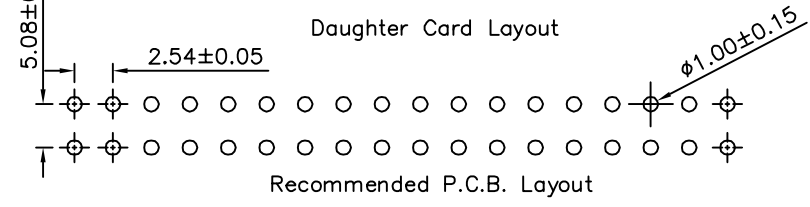
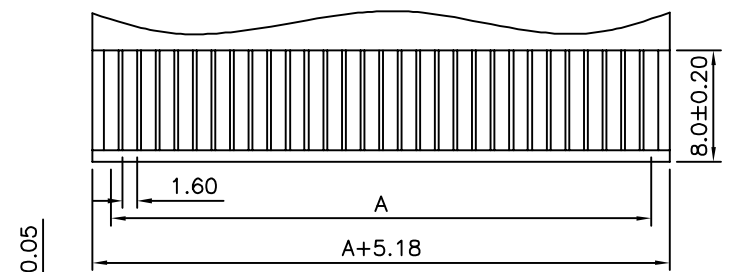
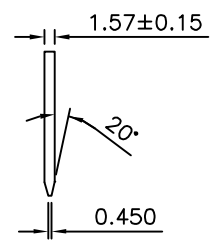


**SPECIFICATION**  
 Current Rating:3A  
 Dielectric Withstanding Volatge:1000V AC/1 Minute  
 Contact Resistance:20 Milliohms Max.  
 Insulation Resistance:5000 Megaohms Min. At 500V DC  
 Operation Temperature:-55°C~+85°C  
 Insertion Force:340g Max. Per Pair  
 Withdrawal Force:28g Min. Per Pair  
 Insulator:PBT+G.F.(UL94V-0)  
 Contact:Brass  
 Gold Flash On Contact Area  
 Tin Plated On Solder Tails,Over Nickel  
 RoHS Compliant



| Pin | A     | B     | C     | Pin | A     | B     | C     |
|-----|-------|-------|-------|-----|-------|-------|-------|
| 6   | 5.08  | 10.66 | 14.22 | 40  | 48.26 | 53.84 | 57.40 |
| 8   | 7.62  | 13.20 | 16.76 | 42  | 50.80 | 56.38 | 59.94 |
| 10  | 10.16 | 15.74 | 19.30 | 44  | 53.34 | 58.92 | 62.48 |
| 12  | 12.70 | 18.28 | 21.84 | 46  | 55.88 | 61.46 | 65.02 |
| 14  | 15.24 | 20.82 | 24.38 | 48  | 58.42 | 64.00 | 67.56 |
| 16  | 17.78 | 23.36 | 26.92 | 50  | 60.96 | 66.54 | 70.10 |
| 18  | 20.32 | 25.90 | 29.46 | 52  | 63.50 | 69.08 | 72.64 |
| 20  | 22.86 | 28.44 | 32.00 | 54  | 66.04 | 71.62 | 75.18 |
| 22  | 25.40 | 30.98 | 34.54 | 56  | 68.58 | 74.16 | 77.72 |
| 24  | 27.94 | 33.52 | 37.08 | 58  | 71.12 | 76.70 | 80.26 |
| 26  | 30.48 | 36.06 | 39.62 | 60  | 73.66 | 79.24 | 82.80 |
| 28  | 33.02 | 38.60 | 42.16 | 62  | 76.20 | 81.78 | 85.34 |
| 30  | 35.56 | 41.14 | 44.70 | 64  | 78.74 | 84.32 | 87.88 |
| 32  | 38.10 | 43.68 | 47.24 | 66  | 81.28 | 86.86 | 90.42 |
| 34  | 40.64 | 46.22 | 49.78 | 68  | 83.82 | 89.40 | 92.96 |
| 36  | 43.18 | 48.76 | 52.32 | 70  | 86.36 | 91.94 | 95.50 |
| 38  | 45.72 | 51.30 | 54.86 | 72  | 88.90 | 94.48 | 98.04 |

**4UCON** 元化興業股份有限公司  
 4UCON TECHNOLOGY INC.

DRAWING No. 02914  
 APPROVED BY EMILY  
 CHECKED BY HZF  
 DRAWING BY SONG  
 SCALE NONE REV. CO

UNLESS OTHERWISE SPECIFIED TOLERANCES ARE  
 .X ±0.38  
 .XX ±0.25  
 ANG.  
 UNIT mm

|          |             |     |            |
|----------|-------------|-----|------------|
| △ CO     | NEW RELEASE | HZF | 01/21/2012 |
| NO. REV. | REVISIONS   | CHK | DATE       |