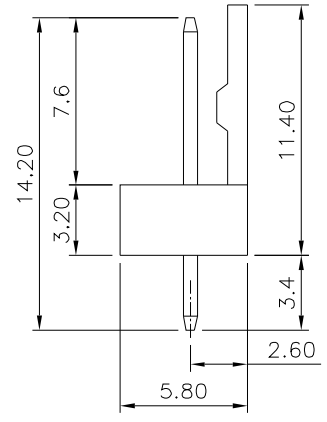
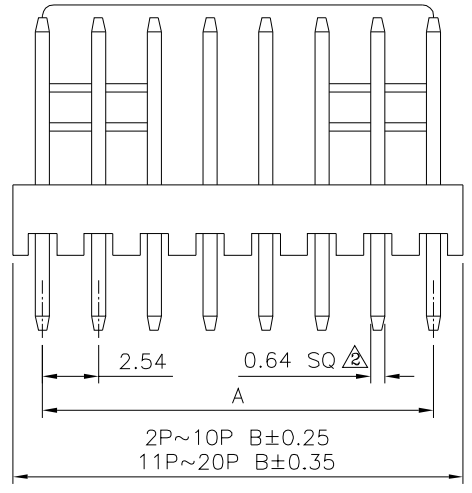
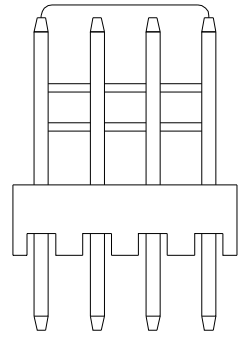
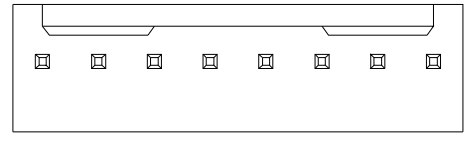
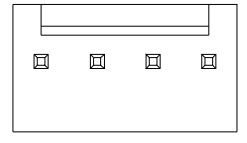


△ SPECIFICATION
 Current Rating:3A AC/DC
 Voltage Rating:250V AC Max.
 Withstanding Voltage:1000V AC/Minute
 Contact Resistance:20 Milliohms Max.
 Insulation Resistance:1000 Megaohms Min.
 Operation Temperature:-25°C~+85°C
 Terminal:Brass,Tin Plated Over Nickel
 Insulator:PA66(UL94V-2),Nature
 RoHS Compliant



△

| Pin | A | B |
|-----|-------|-------|
| 2 | 2.54 | 5.12 |
| 3 | 5.08 | 7.66 |
| 4 | 7.62 | 10.20 |
| 5 | 10.16 | 12.74 |
| 6 | 12.70 | 15.30 |
| 7 | 15.24 | 17.94 |
| 8 | 17.78 | 20.48 |
| 9 | 20.32 | 23.02 |
| 10 | 22.86 | 25.58 |
| 11 | 25.40 | 28.12 |
| 12 | 27.94 | 30.68 |
| 13 | 30.48 | 33.10 |
| 14 | 33.02 | 35.80 |
| 15 | 35.56 | 38.34 |
| 16 | 38.10 | 40.94 |
| 17 | 40.64 | 43.30 |
| 18 | 43.18 | 45.90 |
| 20 | 48.26 | 50.80 |

4UCON 元化興業股份有限公司
 4UCON TECHNOLOGY INC.

DRAWING No. **01960**

APPROVED BY Jason Wu
 CHECKED BY Leo Han
 DRAWING BY Michelle Lee

UNLESS OTHERWISE SPECIFIED TOLERANCES ARE
 .X ±0.35
 .XX ±0.25
 ANG.

UNIT mm

| NO. | REV. | REVISIONS | CHK | DATE |
|-----|------|-------------|-------|------------|
| △A4 | | Modify Data | HZF | 06/02/2015 |
| △A3 | | Modify Data | HZF | 01/19/2013 |
| △A2 | | Modify Data | HZF | 08/21/2010 |
| △A1 | | Modify Data | BECKY | 2005/05/12 |
| △A0 | | NEW RELEASE | BECKY | |

SCALE NONE REV. A4