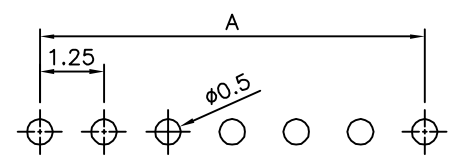
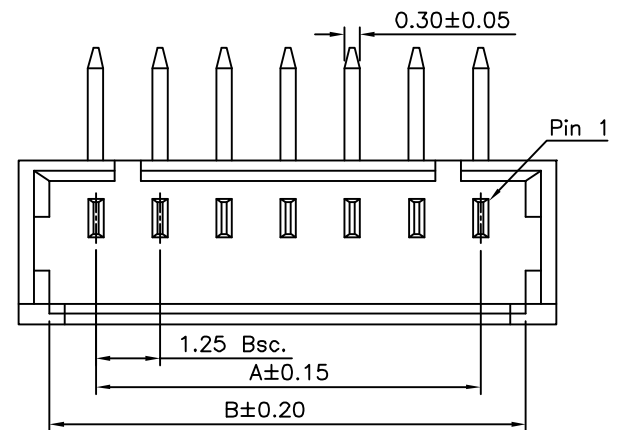


△ SPECIFICATION

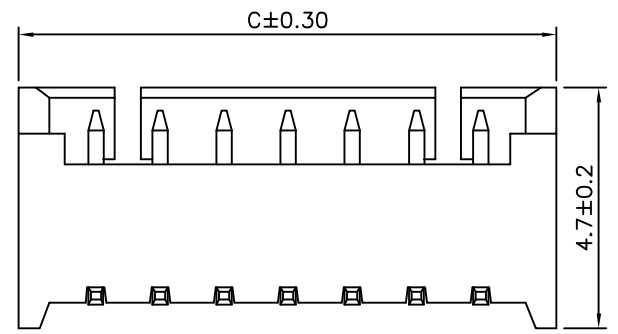
Current Rating:1A
 Voltage Rating:125V AC
 Dielectric Voltage:250V AC For One Minute
 Contact Resistance:20 Milliohms Max.(Initial)
 40 Milliohms Max.(Final)
 Insulation Resistance:100 Megaohms Min. At 500V
 Operation Temperature:-25°C~+85°C
 Insulator:PA46(UL94V-0),Nature
 Contact:Brass,Tin Plated Over Nickel
 RoHS Compliant



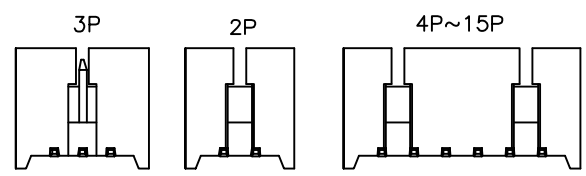
△ Recommended P.C.B. Layout
 (PCB Board Tolerance±0.05)



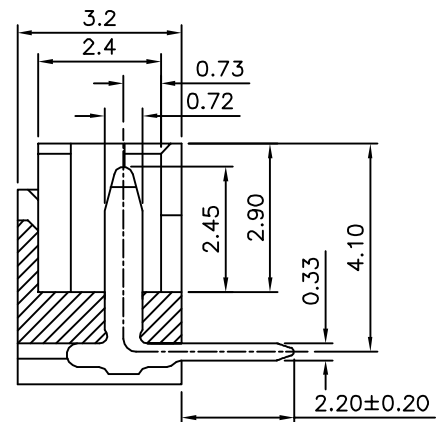
△



△



△ Lock Window View



△

△

Pin	A	B	C
02	1.25	3.05	4.25
03	2.50	4.30	5.50
04	3.75	5.55	6.75
05	5.00	6.80	8.00
06	6.25	8.05	9.25
07	7.50	9.30	10.50
08	8.75	10.55	11.75
09	10.00	11.80	13.00
10	11.25	13.05	14.25
11	12.50	14.30	15.50
12	13.75	15.55	16.75
13	15.00	16.80	18.00
14	16.25	18.05	19.25
15	17.50	19.30	20.50

4UCON 元化興業股份有限公司
 4UCON TECHNOLOGY INC.

DRAWING No.		APPROVED BY		UNLESS OTHERWISE SPECIFIED TOLERANCES ARE .X ±0.25 .XX ±0.15
01211		EMILY		
		CHECKED BY		
		HZF		
		DRAWING BY		
		YBL		
SCALE	NONE	REV.	B1	UNIT mm

NO.	REV.	REVISIONS	CHK	DATE
△ B1		Modify Data	HZF	12/04/2013
△ B0		NEW RELEASE	HZF	12/10/2009