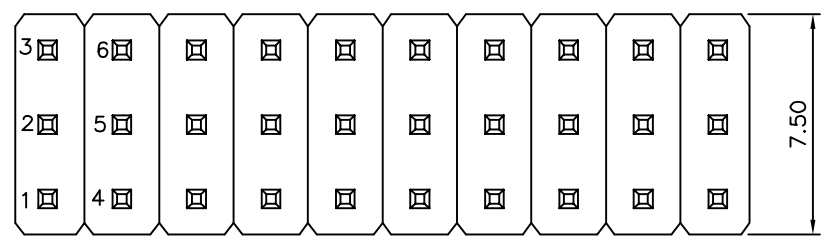


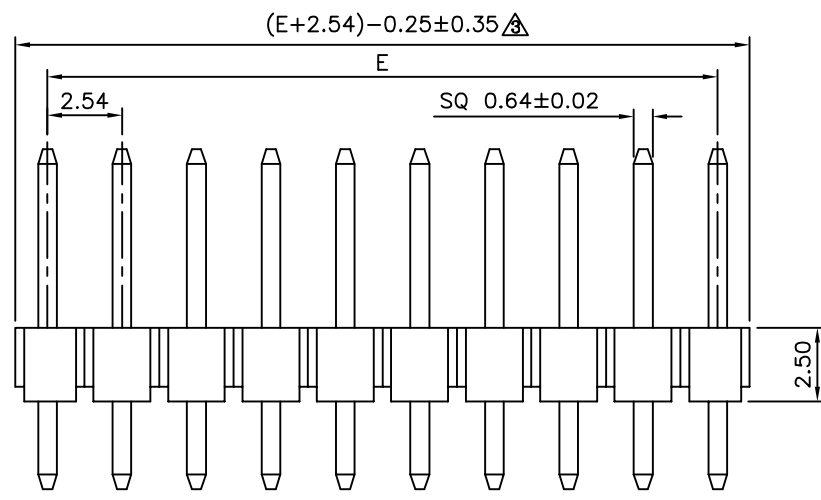
△ Recommended P.C.B. Layout

**△ SPECIFICATION**  
 Current Rating:3 Amp  
 Withstanding Voltage:500V AC For One Minute  
 Contact Resistance:20 Milliohms Max.  
 At DC 100mA  
 Insulation Resistance:5000 Megaohms Min.  
 At DC 500V  
 Operation Temperature:-40°C~+105°C  
 Insulator:PBT+30%G.F.(UL94V-0),Black  
 △ Contact:Brass,Gold Flash Over Nickel  
 RoHS Compliant

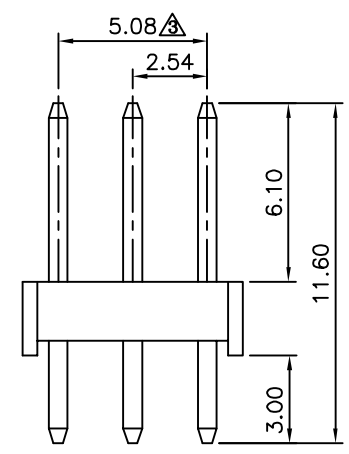


△

Pin	E	Pin	E
3	2.54	63	50.80
6	2.54	66	53.34
9	5.08	69	55.88
12	7.62	72	58.42
15	10.16	75	60.96
18	12.70	78	63.50
21	15.24	81	66.04
24	17.78	84	68.58
27	20.32	87	71.12
30	22.86	90	73.66
33	25.40	93	76.20
36	27.94	96	78.74
39	30.48	99	81.28
42	33.02	102	83.82
45	35.56	105	86.36
48	38.10	108	88.90
51	40.64	111	91.44
54	43.18	114	93.98
57	45.72	117	96.52
60	48.26	120	99.06



△



△

**4UCON** 元化興業股份有限公司  
 4UCON TECHNOLOGY INC.

DRAWING No.		APPROVED BY		UNLESS OTHERWISE SPECIFIED TOLERANCES ARE △ .X ±0.30 .XX ±0.20 ANG. ±3°
01054		EMILY		
		CHECKED BY HZF		
		DRAWING BY YBL		UNIT mm
SCALE	NONE	REV.	A3	

NO.	REV.	REVISIONS	CHK	DATE
△ A3		Modify Data	HZF	01/17/2014
△ A2		Modify Data	HZF	05/24/2012
△ A1		Modify Data	HZF	05/05/2010
△ A0		NEW RELEASE		